

INSTRUCTIONS FOR KIT #2008350 SINGLE EXHAUST KIT

FITS 1988-1993 FULL-SIZE GM 1/2 & 3/4 TON 2WD & 4WD PICKUPS W/5.7L V-8 ONLY WITH 3" EXHAUST AT CONVERTER. THIS KIT FITS ALL WHEEL BASE MODELS. DOES NOT FIT 305 C.I. OR V-6.

NOTE: DO NOT TIGHTEN ANY CLAMPS OR BOLTS UNTIL THE LAST STEP!

1) REMOVE THE EXHAUST SYSTEM AT THE CLAMP BEHIND THE CONVERTER LEAVING ONLY THE ORIGINAL Y PIPE, RUBBER MOUNTS, AND CATALYTIC CONVERTER ON THE TRUCK.

NOTE: THE FRONT PIPE WILL NEED TO BE CUT TO FIT THE SHORTER WHEEL BASE MODELS. THIS PIPE FITS EXTENDED CAB LONG BOX MODELS WITHOUT CUTTING.

2) SLIP THE FRONT EXTENSION PIPE (IT HAS TWO BENDS) INTO PLACE ON THE CONVERTER AND SLIDE A 3" CLAMP ON THE PIPE.

FOR THOSE WITH REGULAR CAB SHORT BOX MODELS, CUT 13" OFF THE FRONT EXTENSION PIPE FROM THE END THAT IS NOT EXPANDED—YOU WILL NOT NEED THE MIDDLE EXTENSION PIPE AND EXTRA 3" CLAMP.

FOR THOSE WITH EXTENDED CAB LONG BOX, USE BOTH THE FRONT EXTENSION PIPE AND THE MIDDLE EXTENSION PIPE—NO CUTTING NECESSARY.

FOR THOSE WITH REGULAR CAB LONG BOX MODELS, CUT 18" OFF THE MIDDLE EXTENSION PIPE FROM THE END THAT IS NOT EXPANDED, AND 6" OFF OF THE FRONT EXTENSION PIPE FROM THE END THAT IS NOT EXPANDED.

FOR THOSE WITH EXTENDED CAB SHORT BOX, CUT 14" OFF THE MIDDLE EXTENSION PIPE FROM THE END THAT IS NOT EXPANDED. FOR THOSE WITH REGULAR CAB LONG BOX, GO TO STEP 3).

3) INSTALL THE 3" HANGER CLAMP TO THE EXTENSION PIPE AT THE FRONT O.E. RUBBER MOUNT.

4) USE A 3" MUFFLER CLAMP TO ATTACH THE INLET OF THE MUFFLER (CENTER INLET, SIDE OUTLET) AND THE EXTENSION PIPE TOGETHER. THE OUTLET OF THE MUFFLER SHOULD LIE TOWARDS THE EDGE OF THE VEHICLE (AWAY FROM THE DRIVE SHAFT).

5) INSTALL THE OVER THE AXLE SECTION OF THE TAIL PIPE USING A 3" CLAMP TO THE OUTLET OF THE MUFFLER. THE INLET OF THE OVER THE AXLE TAIL PIPE HAS A 24 DEGREE BEND, THE OUTLET A 74 DEGREE BEND.

6) INSTALL THE MIDDLE HANGER TO THE FRONT SECTION OF THE TAIL PIPE AT THE MIDDLE O.E. RUBBER MOUNT. THE MIDDLE HANGER IS THE SHORTER STRAP HANGER. THE LONG END (THE END WITH THE HOOK IN IT) SLIDES INTO THE RUBBER MOUNT, AND THE SHORT END IS CLAMPED BY A 3" CLAMP TO THE OVER THE AXLE PIPE.

7) INSTALL THE REAR SECTION OF THE TAIL PIPE. USE THE REAR HANGER AT THE REAR O.E. RUBBER MOUNT AND A 3" CLAMP TO CLAMP THE FRONT AND REAR TAIL PIPES TOGETHER. THIS HANGER IS THE LONGER HANGER OF THE TWO STRAP HANGERS. SLIDE THE LONG END (END THAT HAS THE HOOK IN IT) INTO THE O.E. RUBBER MOUNT.

HARDWARE KIT FOR KIT #2008350:

- 1) REAR STRAP HANGER (LONG)-#2930
- 1) MIDDLE STRAP HANGER (SHORT)-#2931
- 1) 3" HANGER CLAMP-#2953
- 6) 3" CLAMPS
- 1) FRONT EXTENSION PIPE #2230005
- 1) OVER THE AXLE TAIL PIPE #2005500-2
- 1) REAR TAIL PIPE #2005500-3
- 1) MUFFLER #914
- 1) MIDDLE EXTENSION PIPE #497277

Part # 2008350

Limitation of liability--Disclaimers: The regulation of emissions production, noise levels and safety standards is undertaken by the federal government, each of the fifty state legislatures, and by many local municipalities, towns and counties.

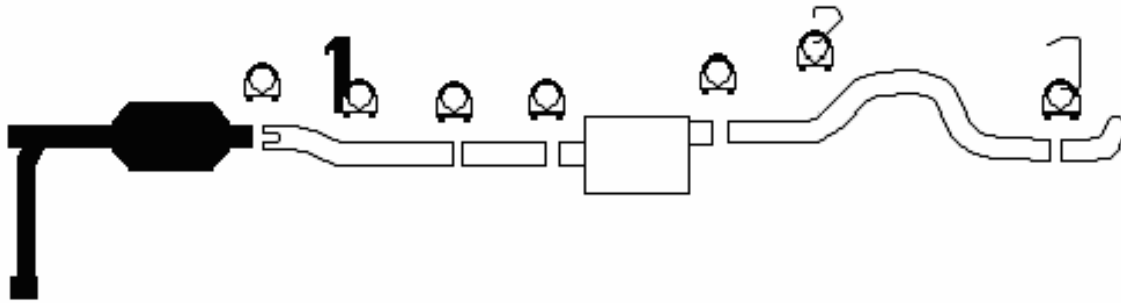
The manufacturer makes no warranties of merchantability, of fitness for a particular purpose, or that its products are approved for general use, or that its products comply with laws, regulations or ordinances in the states where they may be sold to the ultimate purchaser, the consumer.

The entire risk as to the conformity of this product in any such state and as to repair, should the product prove to be defective or non-conforming, is on the retail purchaser, the buyer, the ultimate consumer of such product and it is not upon the seller, distributor, or manufacturer.

In this connection, retail purchaser, the buyer, the ultimate consumer assumes the burden of the entire cost of any and all necessary service, alterations, and or repair.

The foregoing statement limits the liability of the manufacturer.

DANGER WARNING: SHOULD THE PURCHASER DECIDE TO INSTALL THIS, OR ANY OTHER EXHAUST PRODUCT AT HOME, BE WARNED THAT PLEASURE CAR OR LIGHT DUTY TRUCK/VAN "BUMPER JACKS" ARE INTENDED FOR EMERGENCY USE ONLY. THE USE OF FRAME CONTACT JACK STANDS IN CONJUNCTION WITH A FLOOR JACK AS MAIN SUPPORT IS HIGHLY RECOMMENDED TO MINIMIZE ACCIDENTAL DROPPING OF A VEHICLE WHILE THE INSTALLATION PROCEEDS.



Heartthrob exhaust systems are manufactured by Heartthrob Exhaust--Litchfield, MN

Email us at mike@heartthrobexhaust.com with any questions.

www.heartthrobexhaust.com

320-693-0222

**BUILD SHEET FOR: 3" SINGLE CAT-BACK KIT
PART#'S: 2008350**

- _____ 1) FRONT EXTENSION PIPE #2230005
- _____ 1) OVER THE AXLE TAIL PIPE #2005500-2
- _____ 1) REAR TAIL PIPE #2005500-3
- _____ 1) MUFFLER #914
- _____ 1) MIDDLE EXTENSION PIPE#497277
- _____ 1) HARDWARE KIT

INSPECTED BY: _____

DATE: _____

INSPECTED BY: _____

DATE: _____

**BUILD SHEET FOR: 3" SINGLE CAT-BACK KIT
PART#'S: 2008350**

- _____ 1) FRONT EXTENSION PIPE#2230005
- _____ 1) OVER THE AXLE TAIL PIPE #2005500-2
- _____ 1) REAR TAIL PIPE #2005500-3
- _____ 1) MUFFLER #914
- _____ 1) MIDDLE EXTENSION PIPE#497277
- _____ 1) HARDWARE KIT

INSPECTED BY: _____

DATE: _____

INSPECTED BY: _____

DATE: _____