

KIT #8181520 8152

1966-1977 FORD BRONCO 4WD 302

DANGER WARNING: SHOULD THE PURCHASER DECIDE TO INSTALL THIS EXHAUST PRODUCT AT HOME, BE WARNED THAT PLEASURE CAR OR LIGHT DUTY TRUCK/VAN "BUMPER" JACKS ARE INTENDED FOR EMERGENCY USE ONLY. THE USE OF FRAME CONTACT JACK STANDS IN CONJUNCTION WITH A FLOOR JACK AS MAIN SUPPORT IS HIGHLY RECOMMENDED TO MINIMIZE ACCIDENTAL DROPPING OF A VEHICLE WHILE THE INSTALLATION PROCEEDS.

HARDWARE KIT:

- | | |
|------------------------------|----------------------------------|
| 2) LB4 HANGERS | 1) 627-1--LEFT MANIFOLD PIPE |
| 2) SNAPPER GROMMETS | 1) 627-2--RIGHT MANIFOLD PIPE |
| 2) 5/16" X 1-1/2" BOLTS | 1) #16627R--RIGHT EXTENSION |
| 4) 5/16" NUTS | 1) #16626L--LEFT EXTENSION |
| 6) 2-1/4" CLAMPS | 1) RIGHT TAIL PIPE T996 |
| 4) 5/16" X 1-1/4" LAG SCREWS | 1) LEFT TAIL PIPE T997 |
| 2) BR755 BRACKETS | 2) GLASS PACK MUFFLERS (3012502) |
| 2) FENDER WASHERS (33219) | |
| 2) BR104 RUBBER HANGERS | |
| 2) 2" CLAMPS | |
| 2) 5/16" X 1-1/4" BOLTS | |

LIMITATION OF LIABILITY-DISCLAIMERS: THE REGULATION OF EMISSIONS PRODUCTION, NOISE LEVELS AND SAFETY STANDARDS IS UNDERTAKEN BY THE FEDERAL GOVERNMENT, EACH OF THE FIFTY STATE LEGISLATURES, AND BY MANY LOCAL MUNICIPALITIES, TOWNS AND COUNTIES.

THE MANUFACTURER MAKES NO WARRANTIES OF MERCHANTABILITY, OF FITNESS FOR A PARTICULAR PURPOSE, OR THAT ITS PRODUCTS ARE APPROVED FOR GENERAL USE, OR THAT ITS PRODUCTS COMPLY WITH LAWS, REGULATIONS OR ORDINANCES IN THE STATES WHERE THEY MAY BE SOLD TO THE ULTIMATE PURCHASER, THE CONSUMER.

THE ENTIRE RISK AS TO THE CONFORMITY OF THIS PRODUCT IN ANY SUCH STATE AND AS TO REPAIR, SHOULD THE PRODUCT PROVE TO BE DEFECTIVE OR NON-CONFORMING, IS ON THE RETAIL PURCHASER, THE BUYER, THE ULTIMATE CONSUMER, OF SUCH PRODUCT AND IT IS NOT UPON THE SELLER, DISTRIBUTOR, OR MANUFACTURER.

IN THIS CONNECTION, THE RETAIL PURCHASER, THE BUYER, THE ULTIMATE CONSUMER ASSUMES THE BURDEN OF THE ENTIRE COST OF ANY AND ALL NECESSARY SERVICE, ALTERATIONS AND OR REPAIR.

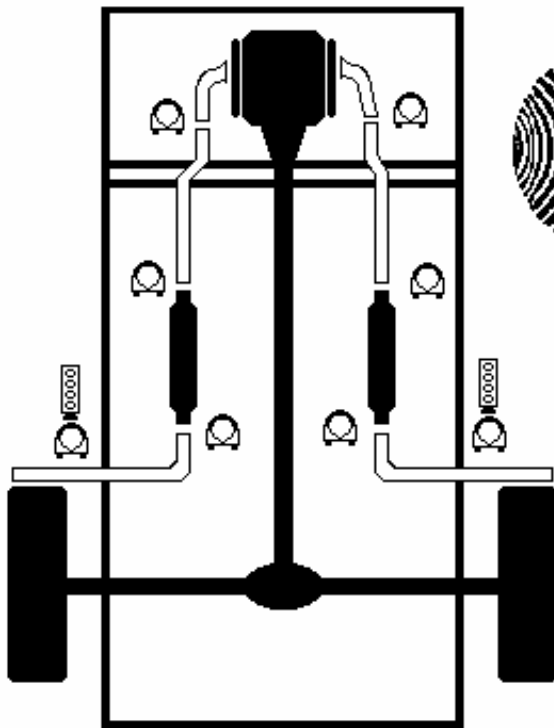
THE FOREGOING STATEMENT LIMITS THE LIABILITY OF THE MANUFACTURER.

CALIFORNIA VEHICLE CODE SECTION 27156 PROHIBITS THE ADVERTISING, OFFERING FOR SALE, OR INSTALLATION OF ANY DEVICE WHICH MODIFIES A VEHICLE'S EMISSION CONTROL SYSTEM. THIS PRODUCT IS THEREFORE NOT LEGAL FOR SALE OR USE IN CALIFORNIA ON VEHICLES EQUIPPED WITH CATALYTIC CONVERTERS.

INSTALLATION INSTRUCTIONS:

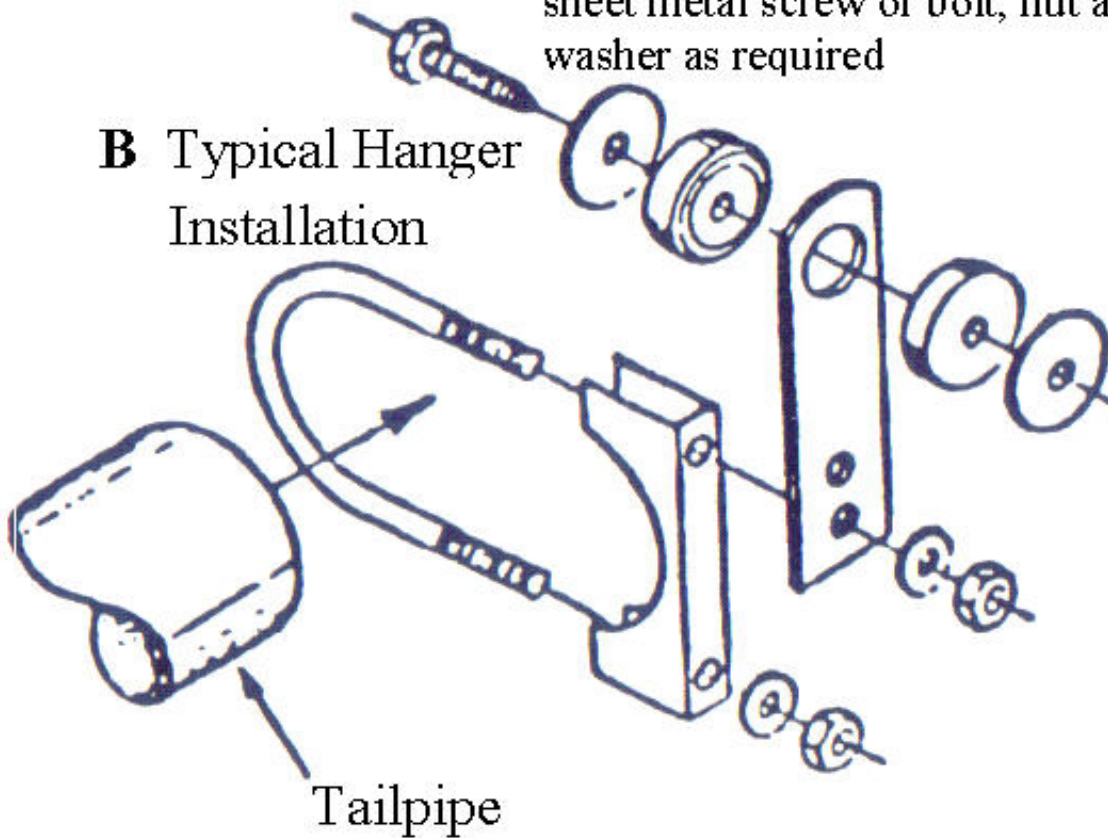
NOTE: DO NOT TIGHTEN ANY CLAMPS OR NUTS UNTIL THE LAST STEP!!

- 1) REMOVE THE OLD EXHAUST SYSTEM. CUT THE HEAD PIPES AND REMOVE THE FLANGES. INSTALL THE LEFT (#627-1) AND RIGHT (#627-2) MANIFOLD PIPES, USING THE OLD GASKETS AND FLANGES FROM THE ORIGINAL FRONT PIPE.
- 2) INSTALL THE LEFT (#16626L) AND RIGHT (#16627R) FRONT EXTENSION PIPES TO THE MANIFOLD PIPES USING 2" CLAMPS. CLAMP LIGHTLY INTO PLACE.
- 3) NOTE: FOR VEHICLES REQUIRING CATALYTIC CONVERTERS TO MEET EPA GUIDELINES, CATALYTIC CONVERTER PART #73-7774 OR EQUIVALENT SHOULD BE INSTALLED ON PIPES 16626L AND 16627R.
- 4) INSTALL THE GLASS PACK MUFFLERS ONTO THE FRONT EXTENSION PIPES USING 2-1/4" CLAMPS. NOTE: THE EXHAUST SHOULD RUN OVER, AND NOT INTO, THE LOUVERS OF THE GLASS PACKS FOR PROPER SOUND CONTROL. ROTATE THE MUFFLERS FOR CLEARANCE FROM THE DRIVE SHAFT AND FRAME.
- 5) INSTALL THE LEFT AND RIGHT TAIL PIPES TO THE MUFFLERS USING 2-1/4" CLAMPS.
- 6) AS THE TAIL PIPE GOES UNDER THE FRAME ON ITS WAY OUT THE SIDE OF THE VEHICLE, DRILL A HOLE TO BOLT A RUBBER HANGER. CLAMP THE TAIL PIPES TO THE HANGERS USING 2-1/4" CLAMPS.
- 7) YOU MAY INSTALL THE ADDITIONAL HANGERS WHERE YOU SEE FIT ON THE SYSTEM, PREFERABLY AT THE INLETS OF THE MUFFLERS.
- 8) MAKE SURE THAT ALL THE PARTS OF THE SYSTEM ARE CLEAR OF FRAME MEMBERS, ALL HOSES, SUSPENSION, AND BRAKE AND FUEL LINES. STARTING AT THE EXHAUST MANIFOLDS, TIGHTEN ALL CONNECTIONS AND NUTS. MAKE SURE ALL PARTS ARE CLEAR AND WILL NOT LEAK OR RATTLE. AFTER SEVERAL DAYS OF DRIVING RETIGHTEN ALL BOLTS.



Secure hanger to OEM bracket using a sheet metal screw or bolt, nut and lock washer as required

B Typical Hanger Installation



BUILD SHEET FOR: DUAL KITS W/ GLASSPACKS

PART #: 8181520 OR 8152

- ___ 1) 627-1--LEFT MANIFOLD PIPE
- ___ 1) 627-2--RIGHT MANIFOLD PIPE
- ___ 1) #16627R--RIGHT EXTENSION
- ___ 1) #16626L--LEFT EXTENSION
- ___ 1) RIGHT TAIL PIPE T996
- ___ 1) LEFT TAIL PIPE T997
- ___ 2) GLASS PACK MUFFLERS (3012502)
- ___ 1) HARDWARE KIT

INSPECTED BY: _____

DATE: _____

INSPECTED BY: _____

DATE: _____

BUILD SHEET FOR: DUAL KITS W/ GLASSPACKS

PART #: 8181520 OR 8152

- ___ 1) 627-1--LEFT MANIFOLD PIPE
- ___ 1) 627-2--RIGHT MANIFOLD PIPE
- ___ 1) #16627R--RIGHT EXTENSION
- ___ 1) #16626L--LEFT EXTENSION
- ___ 1) RIGHT TAIL PIPE T996
- ___ 1) LEFT TAIL PIPE T997
- ___ 2) GLASS PACK MUFFLERS (3012502)
- ___ 1) HARDWARE KIT

INSPECTED BY: _____

DATE: _____

INSPECTED BY: _____

DATE: _____